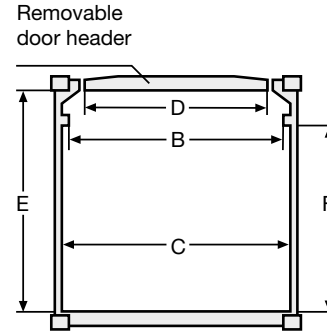
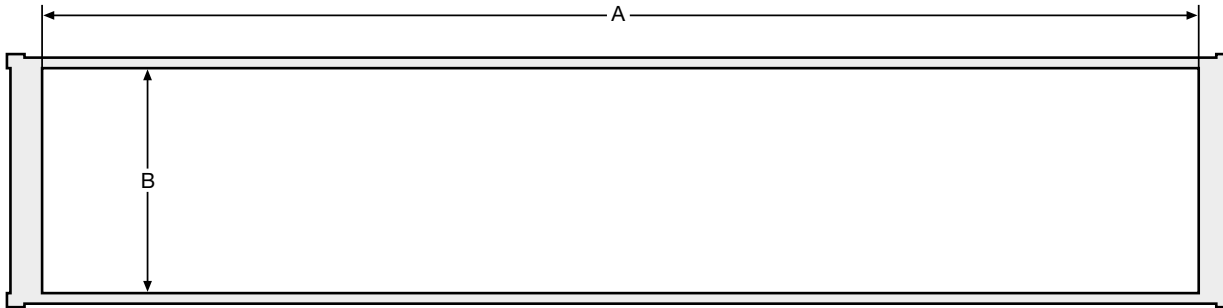


Roof openings



Door openings



Roof openings

ROOF AND DOOR OPENINGS OF OPEN TOP CONTAINERS

20', 40', 40'/9'6"

	Roof openings		Door openings					
	Length	Width	Width			Height		
	A	B	C	D Swing header opening	B Between top rails	E Up to door header	F Up to top rail	
	mm ft	mm ft	mm ft	mm ft	mm ft	mm ft	mm ft	
20' Wooden floor 8' 6" high	5,338 17' 6 ¹ / ₈ "	2,230 7' 3 ³ / ₄ "	2,338 7' 8"	1,900 6' 2 ³ / ₄ "	2,230 7' 3 ³ / ₄ "	2,280 7' 5 ³ / ₄ "	2,231 7' 3 ³ / ₄ "	HLXU 362500–362999 HLXU 360000–361999
Steel floor 8' 6" high	5,418 17' 9 ¹ / ₄ "	2,232 7' 3 ⁷ / ₈ "	2,340 7' 8 ¹ / ₈ "	1,900 6' 2 ³ / ₄ "	2,232 7' 3 ⁷ / ₈ "	2,280 7' 5 ³ / ₄ "	2,230 7' 3 ³ / ₄ "	HLBU 801000–801599 HLBU 803300–803619
40' Wooden floor 8' 6" high	11,573 37' 11 ⁵ / ₈ "	2,210 7' 3"	2,338 7' 8"	1,902 6' 2 ⁷ / ₈ "	2,210 7' 3"	2,292 7' 6 ¹ / ₄ "	2,131 6' 11 ⁷ / ₈ "	HLXU 461670–461819 HLXU 560300–566699
	11,552 37' 10 ³ / ₄ "	2,230 7' 3 ³ / ₄ "	2,340 7' 8 ¹ / ₈ "	1,900 6' 2 ³ / ₄ "	2,230 7' 3 ³ / ₄ "	2,282 7' 5 ⁷ / ₈ "	2,163 7' 1 ¹ / ₈ "	
Steel floor 8' 6" high	11,552 37' 10 ³ / ₄ "	2,232 7' 3 ⁷ / ₈ "	2,352 7' 8 ⁵ / ₈ "	1,902 6' 2 ⁷ / ₈ "	2,232 7' 3 ⁷ / ₈ "	2,280 7' 5 ³ / ₄ "	2,131 6' 11 ⁷ / ₈ "	HLBU 800000–800999 HLBU 801600–802099
Steel floor 9' 6" high	11,552 37' 10 ³ / ₄ "	2,192 7' 2 ¹ / ₄ "	2,352 7' 8 ⁵ / ₈ "	1,900 6' 2 ³ / ₄ "	2,192 7' 2 ¹ / ₄ "	2,683 8' 9 ⁵ / ₈ "	2,649 8' 8 ¹ / ₄ "	HLBU 802100–802599