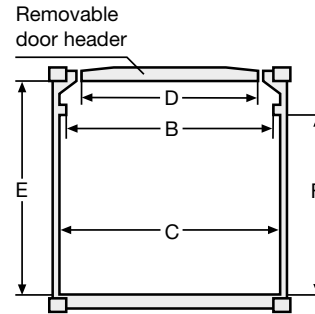
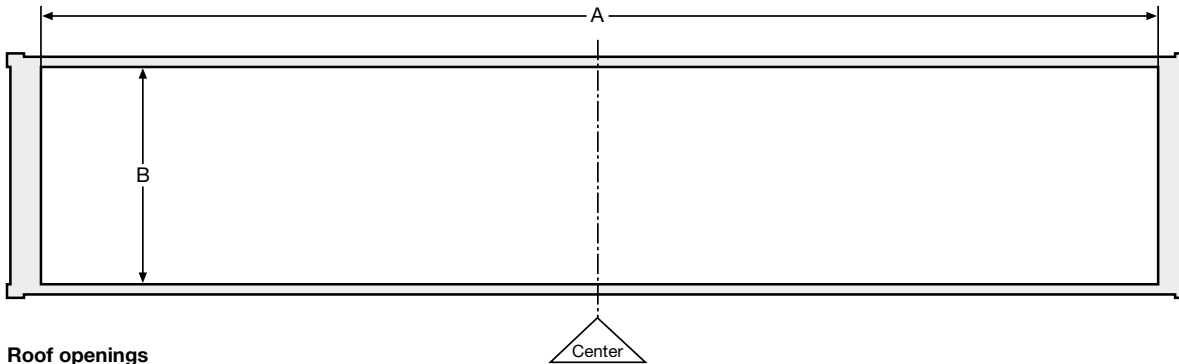


Roof openings



Door openings



Roof openings

ATTENTION Reduced inside height due to adjust bar, in the center ~ -160 mm

ROOF AND DOOR OPENINGS OF HARDTOP CONTAINERS

20', 40', 40'/9'6"

	Roof openings		Door openings					Roof lashed to side wall			Hapag-Lloyd serial number excerpt	
	Length	Width	Width		Height			Reduced inside width				
	A	B	C	D Swing header opening	B Between top rails	E Up to door header	F Up to top rail	Inside width	Roof opening	Door opening		
	mm ft	mm ft	mm ft	mm ft	mm ft	mm ft	mm ft	mm ft	mm ft	mm ft		
20' Wooden floor 8' 6" high	5,596 18' 4¼"	2,208 7' 2⅞"	2,340 7' 8⅛"	1,850 6' ¾"	2,208 7' 2⅞"	2,277 7' 5⅝"	2,220 7' ⅜"	2,215 7' 3⅛"	2,148 7' ½"	2,212 7' 3"	HLXU	365650-365949
	5,590 18' 4"		2,336 7' 8"	1,896 6' 2⅝"		2,276 7' 5⅝"		2,209 7' 3"	2,142 7' ¼"	2,206 7' 2⅞"	HLXU	365000-365949
											HLXU	365450-365649
40' Wooden floor 8' 6" high	11,724 38' 5½"	2,208 7' 2⅞"	2,336 7' 8"	1,896 6' 2⅝"	2,208 7' 2⅞"	2,276 7' 5⅝"	2,220 7' ⅜"	2,209 7' 3"	2,142 7' ¼"	2,206 7' 2⅞"	HLXU	465000-465649
			2,334 7' 7⅞"	1,882 6' 2½"		2,290 7' 6⅛"	2,125 6' 11⅝"	2,205 7' 2¾"	2,102 6' 10¾"	1,996 6' 6½"	HLXU	467950-467999
40' Wooden floor 9' 6" high	11,724 38' 5½"	2,212 7' 2⅞"	2,340 7' 8⅛"	1,808 5' 11⅛"	2,212 7' 3⅛"	2,581 8' 5⅝"	2,523 8' 3⅜"	2,230 7' 3¾"	2,161 7' 1⅞"	2,227 7' 3⅝"	HLXU	666050-666349
		2,208 7' 2⅞"	2,336 7' 8"	1,896 6' 2⅝"	2,208 7' 2⅞"	2,597 8' 6¼"	2,525 8' 3⅜"		2,163 7' 1⅞"			HLXU
40' Steel floor 9' 6" high	11,730 38' 5¾"	2,214 7' 3⅞"	2,340 7' 8⅛"	1,850 6' ¾"	2,214 7' 3⅞"	2,680 8' 9½"	2,582 8' 5⅝"	2,230 7' 3¾"	2,165 7' 1¼"	2,227 7' 3⅝"	HLBU	803000-803299